



FEATURES

- ▼ Available in High Pressure Sodium 150-400w, Mercury Vapor 175-400w, Metal Halide 175-400w and Pulse Start Metal Halide 175-400w.
- ▼ Dual rated for Class I Division 2 and Class I Zone 2 hazardous locations.
- ▼ Corrosion resistant housing constructed of type 316 stainless steel.
- ▼ Eight stainless steel over the center cam latches with a one-piece molded silicone gasket provide a tight weather resistant seal.
- ▼ Captive lens frame with stainless steel door retainers for easy relamping.
- ▼ Wide NEMA 6 x 6 beam pattern, optional 3 x 6.
- ▼ Field replaceable lens and/or gasket lowers the total cost of ownership.
- ▼ Supplied with a HPF 120/208/240/277 60Hz multi-tapped ballast allowing voltage versatility. Also available in 220v, 347v and 480v 60Hz, and 220v 50Hz.
- ▼ Choice of mounting arrangements in standard trunnion with a 295° swivel capability. Optional pole, surface, wall or crane boom accessories also available.
- ▼ Two cable entries for feed-through/looping wiring. 3/4" NPT standard or an M25 entry reducer can be ordered separately.
- ▼ Integral safety cable attachments.
- ▼ 5 year warranty.

APPROVALS

- ▼ UL & cUL - Hazardous Locations
Class I, Zone 2, AEx nR II T3 (USA)
Ex nR II T3 (Canada)
Class I, Division 2, Groups A, B, C & D Type 4X
Class I, Zone 2, Groups IIA, IIB, IIB + H2 and IIC
- ▼ UL 1598A - Marine Outside Type Saltwater
- ▼ ABS
- ▼ Certified IP 66 and IP 67

APPLICATIONS

- ▼ Hazardous locations
- ▼ Marine and wet environments
- ▼ Offshore oil and gas platforms
- ▼ Drill ships and exploration vessels
- ▼ Tankers and cargo ships
- ▼ Drilling rigs, refineries and petrochemical plants
- ▼ Corrosive Environments

OPTIONS

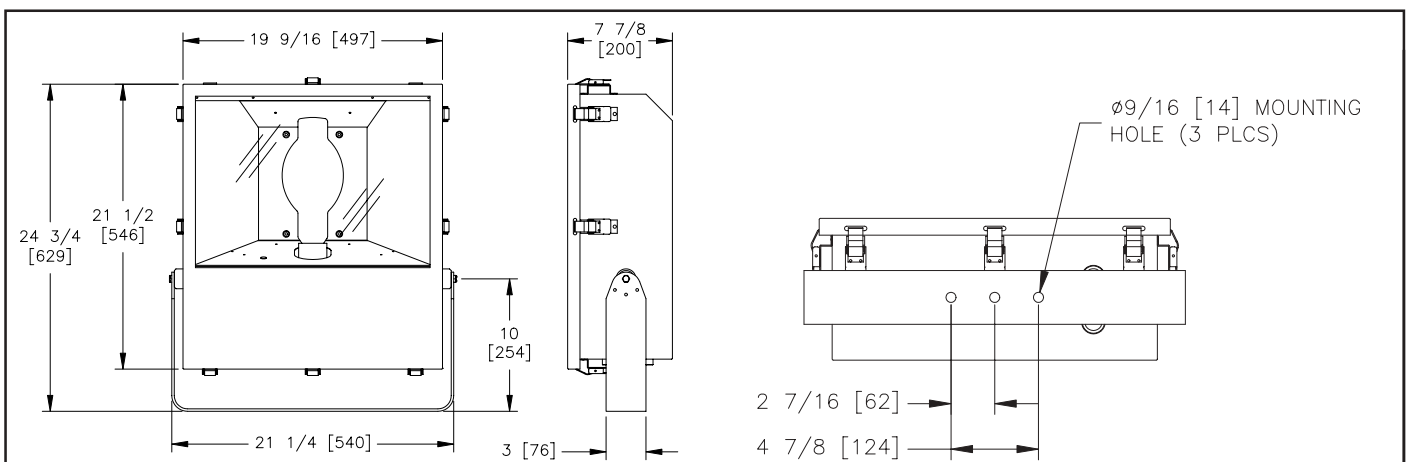
To obtain a fixture with any of the options listed below, please add the following suffix to the part number (not all options can be combined):

- | | |
|---|------|
| ▼ Auxiliary Quartz Light (light continuator) | C* |
| ▼ Instant Restrike Ballast** (up to 150 HPS only) | I* |
| ▼ 220v 50Hz | -225 |
| ▼ 220v 60Hz | -226 |
| ▼ 347v 60Hz | -346 |
| ▼ 480v 60Hz | -486 |
| ▼ Remote Ballast (replaces "I" in part number) | R |
| ▼ Stainless Steel Guard | G |
| ▼ Top/Side Cut-Off Visor | V |
| ▼ Narrow NEMA 3 x 6 Beam Pattern | N |
| ▼ Lamp Included | L |

* For marine use only.

** For instant restrike at higher HPS wattages order IR lamp.

DIMENSIONS



Dimensions in inches/millimeters

DUAL RATED CLASS I DIVISION 2/ZONE 2 AND RESTRICTED BREATHING HID MOGUL BASE FLOODLIGHT FIXTURE



TECHNICAL SPECIFICATION

HOUSING/LENS FRAME

Type 316 stainless steel with a natural finish. Seam welded construction ensures restricted breathing capability. Captive lens frame with stainless steel door retainers.

MOUNTING BRACKET

Type 316 stainless steel trunnion bracket with a natural finish. The trunnion bracket can be used for direct mounting or with optional slip fitters or angle wall brackets for additional mounting preferences.

REFLECTORS

Specular hammer tone aluminum combined with a vertical lamp maximizes light distribution. Standard NEMA 6 x 6 pattern, with a narrow 3 x 6 optional.

CABLE ENTRIES

Two cable entries allow feed-through/looping wiring. The cable entries are 3/4" NPT as standard. Reducer entries for M25 can be ordered separately, part number INX6848, includes 2 each.

LENS

High impact, thermal and shock resistant tempered glass. The lens is field replaceable.

GUARD

Type 316 stainless steel wire guard available as an option*. Wire guard and visor may be installed together.

VISOR

Ten inch, stainless steel shade attaches at top or bottom*. Can be used with wire guard.

BALLAST

A High Power Factor (HPF) integral ballast is supplied for 120/208/240/277v AC 60 Hz. See options for other voltages.

LAMP TYPE

Available in mogul base High Pressure Sodium (HPS) and Pulse Start Metal Halide (PSMH) which operate from -40°C, and Mercury Vapor (MV) and Metal Halide (MH) which operate from -30°C. Fixtures are supplied without lamps.

GASKETS

A one-piece molded high temperature silicone gasket provides an effective seal between the lens and housing. The gasket is field replaceable.

OPERATING TEMPERATURE (at 400w)

HPS	150-400	-40°C to 55°C
MV	175-400	-30°C to 55°C
MH	175-400	-30°C to 55°C
PSMH	175-400	-40°C to 55°C

*Requires a special lens frame.

RBF FIXTURES

TYPE	LAMP	PART NUMBER	WT (lbs) W/IB*	CLASS I DIV 2/ZONE 2 TEMPERATURE CODE	CLASS I ZONE 2 AEx nR (Ex nR II) TEMPERATURE CODE
HIGH PRESSURE SODIUM	150w	RBFLS15IB	47.5	T1	T3
	250w	RBFLS25IB	56.0	T1	T3
	400w	RBFLS4IB	58.5	T1	T3
MERCURY VAPOR	175w	RBFMS17IB	51.5	T1	T3
	250w	RBFMS25IB	50.5	T1	T3
	400w	RBFMS4IB	54.5	T1	T3
METAL HALIDE	175w	RBFHS17IB	51.5	T1	T3
	250w	RBFHS25IB	50.5	T1	T3
	400w	RBFHS4IB	56.5	T1	T3
PULSE START METAL HALIDE	175w	RBFPS17IB	51.5	T1	T3
	250w	RBFPS25IB	50.5	T1	T3
	400w	RBFPS4IB	56.5	T1	T3

* Weight shown is for Integral Ballast (IB), contact factory for weight with remote ballast (RB).

SPARE PARTS

BALLASTS	LAMPS	LAMP HOLDERS	
High Pressure Sodium	High Pressure Sodium		INX4100
150w INX5015	150w INX3651	MOUNTING OPTIONS	
250w INX5021	250w INX3546	Surface (Aluminum or Brass)	INX7007A/B
400w INX5019	400w INX3517	Pole (Aluminum or Brass)	INX7006A/B
Mercury Vapor	Mercury Vapor	Pole (Stainless Steel)	INX7006SS
175w INX5012	175w INX3539	Right Angled Wall (Stainless Steel)	INX7058S
250w INX5102	250w INX3537	Crane Boom (Painted Steel)	INX7001
400w INX5033	400w INX3518	Safety Cable	FX6806
Metal Halide	Metal Halide	LENS GASKET	INX2203
175w INX5022	175w INX3551		GKT5093
250w INX5102	250w INX3541	GUARD VISOR	INX1064
400w INX5033	400w INX3524		INX6261
Pulse Start Metal Halide	Pulse Start Metal Halide	M25 CABLE ENTRY REDUCER (set of 2)	INX6848
175w INX5244	75w INX3732		
250w INX5245	250w INX3733		
400w INX5246	400w INX3734		